

Air -/ Water Heat Exchanger RK 2114 A 400-230V



Product Description

Order Number:	2114003
Colour:	RAL 7035
Protection category IP (IEC 60 529):	IP 54
Add-ons:	Stainless steel, part no. 21140032
Approvals:	CE, cURus
Customs tariff number:	84195000
Material housing:	Mild steel, powder coated

Technical data RK 2114 A 400-230V

Cooling capacity L35W10 (200 l/h):	650 W @ 50 Hz
Cooling capacity L35W10 (500 l/h):	750 W @ 50 Hz
Refrigerant:	Water, light oils or similar
Operating temperature range:	+1°C - +72°C
Max. air volume flow:	180 m ³ /h @ 50 Hz 200 m ³ /h @ 60 Hz
Mounting:	Internal / External
Dimensions (H x W x D):	400 x 212 x 80 mm
Weight:	4.5 kg
Rated operating voltage / frequency:	230 V 50/60 Hz ~N
Rated current:	0.4 A
Starting current:	1 A
Power consumption:	75 W
Max. Working pressure water circuit:	10 bar
Water connection:	Rp 1/4" - inside thread with 2 connectors for pipe internal diameter of 10 mm
Fuse rating:	4 A (T)
Connection:	3 m cable ready for connection

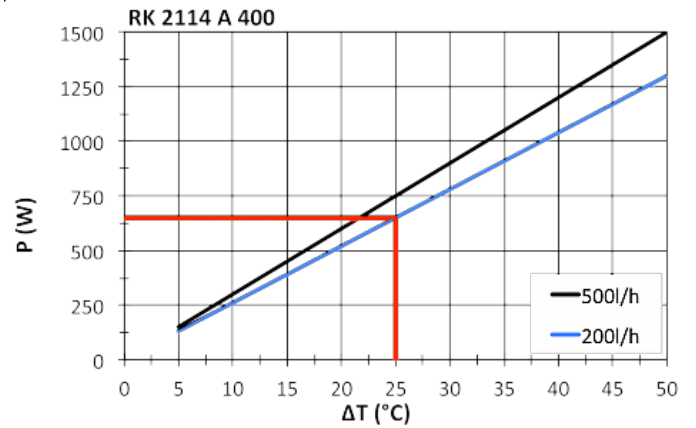
Click the graphics to download the originals.

More CAD graphics can be found on our [Products Downloads page](#).

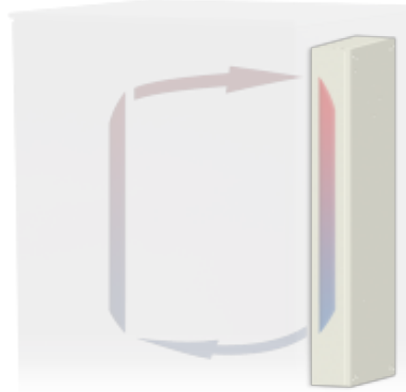
> [Overview product group Air-Water Heat Exchangers](#)

Performance Graph:

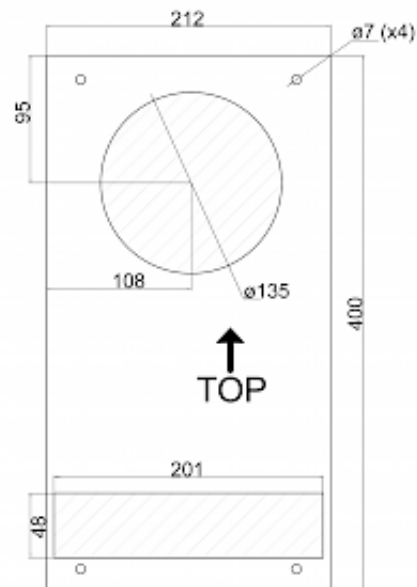
T = Temperature difference between ambient and internal temperature
 P = Cooling Capacity



[click image to enlarge](#)

Airflow diagram:


[click image to enlarge](#)

Cutout diagram:


[click image to enlarge](#)

[Datasheet](#) created 22.07.2015 (15:07:22). Technical rights reserved.