

Air -/ Water Heat Exchanger RK 2114 A 400-48V



Product Description

Order Number:	2114403
Colour:	RAL 7035
Protection category IP (IEC 60 529):	IP 54
Add-ons:	Stainless steel, part no. 21144032
Approvals:	CE
Customs tariff number:	84195000
Material housing:	Mild steel, powder coated

Technical data RK 2114 A 400-48V

Cooling capacity L35W10 (200 l/h):	650 W @ 50 Hz
Cooling capacity L35W10 (500 l/h):	750 W @ 50 Hz
Refrigerant:	Water, light oils or similar
Operating temperature range:	+1°C - +72°C
Max. air volume flow:	190 m³/h
Mounting:	Internal / External
Dimensions (H x W x D):	400 x 212 x 80 mm
Weight:	4.5 kg
Rated operating voltage / frequency:	48 V DC
Rated current:	0.8 A
Power consumption:	34 W
Max. Working pressure water circuit:	10 bar
Water connection:	Rp 1/4" - inside thread with 2 connectors for pipe internal diameter of 10 mm
Fuse rating:	4 A (T)
Connection:	3 m cable ready for connection

Click the graphics to download the originals.

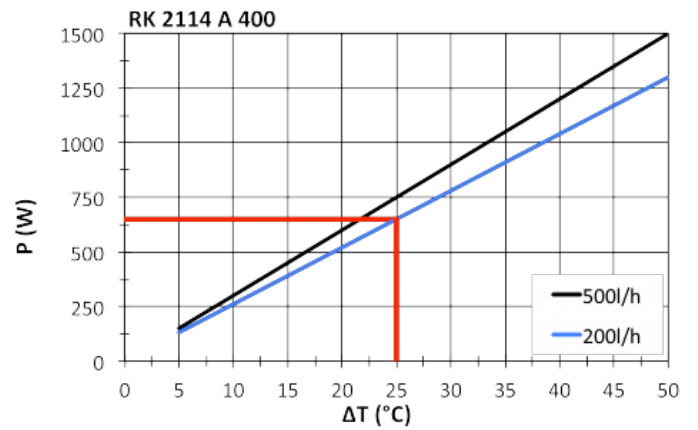
More CAD graphics can be found on our [Products Downloads page](#).

> [Overview product group Air-Water Heat Exchangers](#)

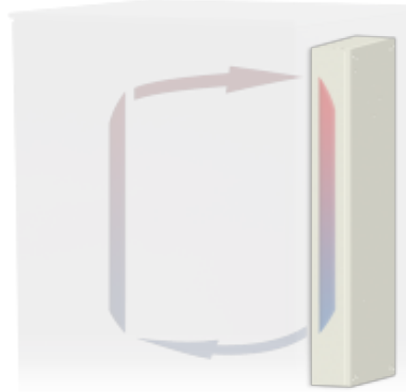
Performance Graph:

T = Temperature difference between ambient and internal temperature

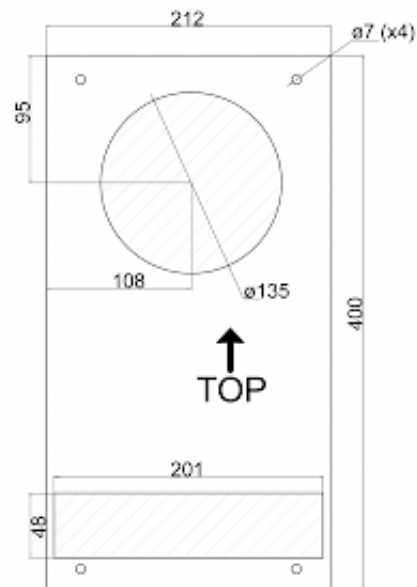
P = Cooling Capacity



[click image to enlarge](#)

Airflow diagram:


[click image to enlarge](#)

Cutout diagram:


[click image to enlarge](#)

[Datasheet](#) created 22.07.2015 (15:08:03). Technical rights reserved.