



## Reinforced outdoor enclosure **SZS IP 66**

SZS – is a reinforced wall-mounted or freestanding enclosure, characterized by high corrosion and ingress protection properties, for use in outdoor conditions. The standard offer includes 63 dimensions. Tables with catalogue numbers are available on the following pages of the catalogue.



Download product data sheet!

Type	Corrosivity category	Material / additional description	Coating
SZS-ZN	C3	steel sheet + epoxy primer	RAL7035
SZS-MG	C4	magnelis sheet	RAL7035
SZS-OH	C4**	stainless steel 1.4301 (AISI 304)	BRUSHED
SZS-KO	C5-I (M)**	acid-proof steel 1.4404 (AISI 316L)	BRUSHED

### General information:

- Ingress protection according to IP code: 66
- Impact resistance according to IK code: 10
- Operating temperature range: -30 – +80°C

### Basic data:

- Body: welded, with roof slope screwed into the body
- Closure: hinged door with 105° opening angle; the possibility of independent change of the door opening direction; lock in the form of a handle with the possibility of mounting a latch insert with a key
- Enclosures of 1000 mm width and more have double-leaf doors separated in the middle by a removable beam
- Mounting plate: in each version is made of 2 mm thick galvanized steel sheet, mounted on perforated brackets adjustable on the entire depth of the enclosure
- Cable entry: there is a gland plate in the bottom, its dimensions depend on the width of the enclosure
- Grounding: threaded grounding studs in the door and enclosure body
- Other information: The door has an internal stiffening made of perforated u-bars to facilitate mounting of additional elements.

Description	Page
Locks	91
Mounting plates	96
Vertical beams	100–101
Modular constructions	102–103
Internal doors	106–107
Plinths	115–116
Reinforced concrete foundations	129
Cable entry	119–121
Wall brackets	130
Ventilation	81
Heaters	82–83
Air conditioners	85–89

### Additional options:

- Thermal insulation
- Increase of the operating temperature range from -50 to +120°C
- Unusual dimensions
- Punching in the door, body or mounting plate
- Painting to any color according to the RAL palette

The technical documentation is available on pages 150–151

The following table presents enclosures equipped with a mounting plate.

No.	Dimensions (W × H × D mm)	Catalogue No. SZS-ZN	Catalogue No. SZS-MG	Catalogue No. SZS-OH	Catalogue No. SZS-KO
1	600 × 1400 × 300	118-401	118-701	118-501	118-601
2	600 × 1400 × 400	118-402	118-702	118-502	118-602
3	600 × 1600 × 300	118-403	118-703	118-503	118-603
4	600 × 1600 × 400	118-404	118-704	118-504	118-604
5	600 × 1800 × 300	118-405	118-705	118-505	118-605
6	600 × 1800 × 400	118-406	118-706	118-506	118-606
7	600 × 2000 × 300	118-407	118-707	118-507	118-607
8	600 × 2000 × 400	118-408	118-708	118-508	118-608
9	600 × 2000 × 500	118-409	118-709	118-509	118-609
10	600 × 2000 × 600	118-410	118-710	118-510	118-610
11	800 × 1400 × 300	118-411	118-711	118-511	118-611
12	800 × 1400 × 400	118-412	118-712	118-512	118-612
13	800 × 1600 × 300	118-413	118-713	118-513	118-613
14	800 × 1600 × 400	118-414	118-714	118-514	118-614
15	800 × 1800 × 300	118-415	118-715	118-515	118-615
16	800 × 1800 × 400	118-416	118-716	118-516	118-616
17	800 × 1800 × 500	118-417	118-717	118-517	118-617
18	800 × 1800 × 600	118-418	118-718	118-518	118-618
19	800 × 2000 × 300	118-419	118-719	118-519	118-619
20	800 × 2000 × 400	118-420	118-720	118-520	118-620
21	800 × 2000 × 500	118-421	118-721	118-521	118-621
22	800 × 2000 × 600	118-422	118-722	118-522	118-622
23	1000 × 800 × 250	118-423	118-723	118-523	118-623
24	1000 × 800 × 300	118-424	118-724	118-524	118-624
25	1000 × 800 × 400	118-425	118-725	118-525	118-625
26	1000 × 1000 × 250	118-426	118-726	118-526	118-626
27	1000 × 1000 × 300	118-427	118-727	118-527	118-627
28	1000 × 1000 × 400	118-428	118-728	118-528	118-628
29	1000 × 1200 × 250	118-429	118-729	118-529	118-629
30	1000 × 1200 × 300	118-430	118-730	118-530	118-630
31	1000 × 1200 × 400	118-431	118-731	118-531	118-631
32	1000 × 1400 × 300	118-432	118-732	118-532	118-632
33	1000 × 1400 × 400	118-433	118-733	118-533	118-633
34	1000 × 1600 × 300	118-434	118-734	118-534	118-634
35	1000 × 1600 × 400	118-435	118-735	118-535	118-635
36	1000 × 1800 × 300	118-436	118-736	118-536	118-636
37	1000 × 1800 × 400	118-437	118-737	118-537	118-637
38	1000 × 2000 × 300	118-438	118-738	118-538	118-638
39	1000 × 2000 × 400	118-439	118-739	118-539	118-639
40	1000 × 2000 × 500	118-440	118-740	118-540	118-640
41	1200 × 800 × 300	118-441	118-741	118-541	118-641
42	1200 × 800 × 400	118-442	118-742	118-542	118-642
43	1200 × 1000 × 300	118-443	118-743	118-543	118-643
44	1200 × 1000 × 400	118-444	118-744	118-544	118-644
45	1200 × 1200 × 300	118-445	118-745	118-545	118-645
46	1200 × 1200 × 400	118-446	118-746	118-546	118-646
47	1200 × 1400 × 300	118-447	118-747	118-547	118-647
48	1200 × 1400 × 400	118-448	118-748	118-548	118-648
49	1200 × 1600 × 300	118-449	118-749	118-549	118-649
50	1200 × 1600 × 400	118-450	118-750	118-550	118-650
51	1200 × 1800 × 300	118-451	118-751	118-551	118-651
52	1200 × 1800 × 400	118-452	118-752	118-552	118-652
53	1200 × 1800 × 500	118-453	118-753	118-553	118-653
54	1200 × 2000 × 300	118-454	118-754	118-554	118-654
55	1200 × 2000 × 350	118-455	118-755	118-555	118-655
56	1200 × 2000 × 400	118-456	118-756	118-556	118-656
57	1200 × 2000 × 500	118-457	118-757	118-557	118-657
58	1200 × 2000 × 600	118-458	118-758	118-558	118-658
59	1600 × 1800 × 400	118-459	118-759	118-559	118-659
60	1600 × 1800 × 500	118-460	118-760	118-560	118-660
61	1600 × 2000 × 400	118-461	118-761	118-561	118-661
62	1600 × 2000 × 500	118-462	118-762	118-562	118-662
63	1600 × 2000 × 600	118-463	118-763	118-563	118-663



**SZS**  
IP 66

Scope of delivery:  
Assembled enclosure without lock insert.

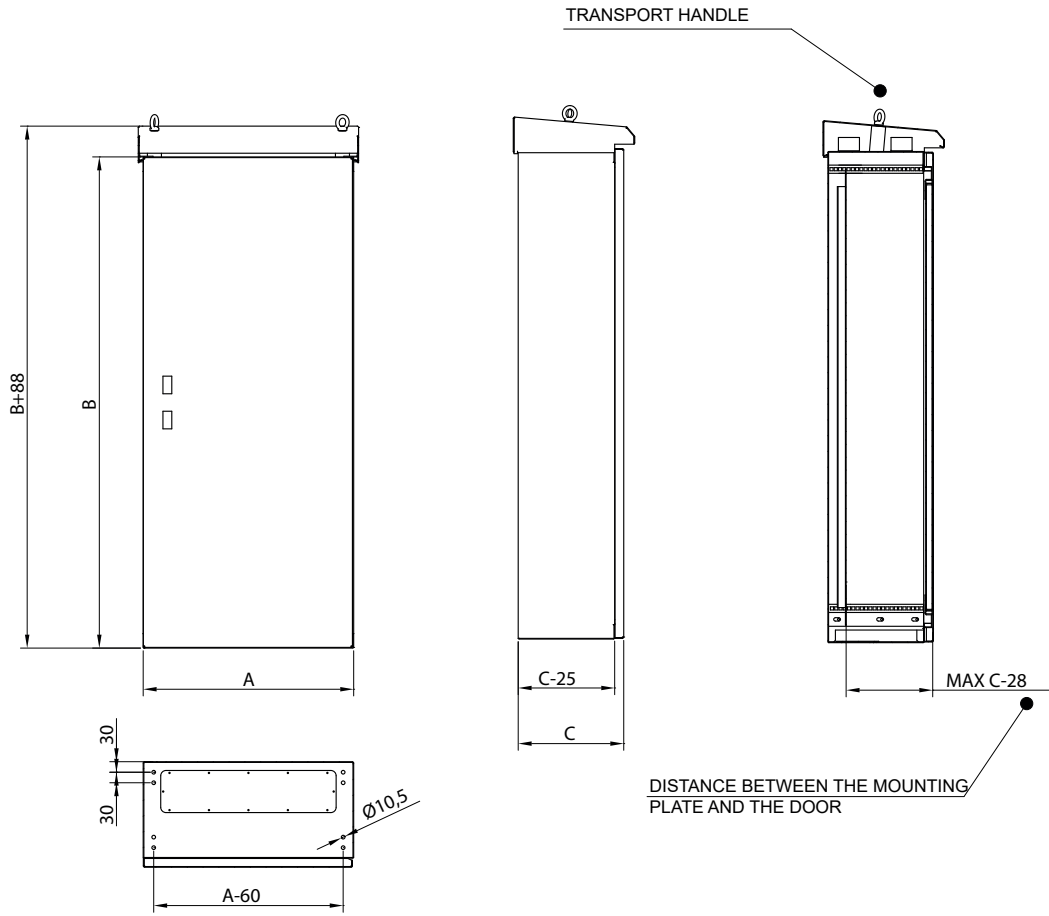
The following table presents empty enclosures.

No.	Dimensions (W × H × D mm)	Catalogue No. SZS-ZN-N	Catalogue No. SZS-MG-N	Catalogue No. SZS-OH-N	Catalogue No. SZS-KO-N
1	600 × 1400 × 300	119-401	119-701	119-501	119-601
2	600 × 1400 × 400	119-402	119-702	119-502	119-602
3	600 × 1600 × 300	119-403	119-703	119-503	119-603
4	600 × 1600 × 400	119-404	119-704	119-504	119-604
5	600 × 1800 × 300	119-405	119-705	119-505	119-605
6	600 × 1800 × 400	119-406	119-706	119-506	119-606
7	600 × 2000 × 300	119-407	119-707	119-507	119-607
8	600 × 2000 × 400	119-408	119-708	119-508	119-608
9	600 × 2000 × 500	119-409	119-709	119-509	119-609
10	600 × 2000 × 600	119-410	119-710	119-510	119-610
11	800 × 1400 × 300	119-411	119-711	119-511	119-611
12	800 × 1400 × 400	119-412	119-712	119-512	119-612
13	800 × 1600 × 300	119-413	119-713	119-513	119-613
14	800 × 1600 × 400	119-414	119-714	119-514	119-614
15	800 × 1800 × 300	119-415	119-715	119-515	119-615
16	800 × 1800 × 400	119-416	119-716	119-516	119-616
17	800 × 1800 × 500	119-417	119-717	119-517	119-617
18	800 × 1800 × 600	119-418	119-718	119-518	119-618
19	800 × 2000 × 300	119-419	119-719	119-519	119-619
20	800 × 2000 × 400	119-420	119-720	119-520	119-620
21	800 × 2000 × 500	119-421	119-721	119-521	119-621
22	800 × 2000 × 600	119-422	119-722	119-522	119-622
23	1000 × 800 × 250	119-423	119-723	119-523	119-623
24	1000 × 800 × 300	119-424	119-724	119-524	119-624
25	1000 × 800 × 400	119-425	119-725	119-525	119-625
26	1000 × 1000 × 250	119-426	119-726	119-526	119-626
27	1000 × 1000 × 300	119-427	119-727	119-527	119-627
28	1000 × 1000 × 400	119-428	119-728	119-528	119-628
29	1000 × 1200 × 250	119-429	119-729	119-529	119-629
30	1000 × 1200 × 300	119-430	119-730	119-530	119-630
31	1000 × 1200 × 400	119-431	119-731	119-531	119-631
32	1000 × 1400 × 300	119-432	119-732	119-532	119-632
33	1000 × 1400 × 400	119-433	119-733	119-533	119-633
34	1000 × 1600 × 300	119-434	119-734	119-534	119-634
35	1000 × 1600 × 400	119-435	119-735	119-535	119-635
36	1000 × 1800 × 300	119-436	119-736	119-536	119-636
37	1000 × 1800 × 400	119-437	119-737	119-537	119-637
38	1000 × 2000 × 300	119-438	119-738	119-538	119-638
39	1000 × 2000 × 400	119-439	119-739	119-539	119-639
40	1000 × 2000 × 500	119-440	119-740	119-540	119-640
41	1200 × 800 × 300	119-441	119-741	119-541	119-641
42	1200 × 800 × 400	119-442	119-742	119-542	119-642
43	1200 × 1000 × 300	119-443	119-743	119-543	119-643
44	1200 × 1000 × 400	119-444	119-744	119-544	119-644
45	1200 × 1200 × 300	119-445	119-745	119-545	119-645
46	1200 × 1200 × 400	119-446	119-746	119-546	119-646
47	1200 × 1400 × 300	119-447	119-747	119-547	119-647
48	1200 × 1400 × 400	119-448	119-748	119-548	119-648
49	1200 × 1600 × 300	119-449	119-749	119-549	119-649
50	1200 × 1600 × 400	119-450	119-750	119-550	119-650
51	1200 × 1800 × 300	119-451	119-751	119-551	119-651
52	1200 × 1800 × 400	119-452	119-752	119-552	119-652
53	1200 × 1800 × 500	119-453	119-753	119-553	119-653
54	1200 × 2000 × 300	119-454	119-754	119-554	119-654
55	1200 × 2000 × 350	119-455	119-755	119-555	119-655
56	1200 × 2000 × 400	119-456	119-756	119-556	119-656
57	1200 × 2000 × 500	119-457	119-757	119-557	119-657
58	1200 × 2000 × 600	119-458	119-758	119-558	119-658
59	1600 × 1800 × 400	119-459	119-759	119-559	119-659
60	1600 × 1800 × 500	119-460	119-760	119-560	119-660
61	1600 × 2000 × 400	119-461	119-761	119-561	119-661
62	1600 × 2000 × 500	119-462	119-762	119-562	119-662
63	1600 × 2000 × 600	119-463	119-763	119-563	119-663

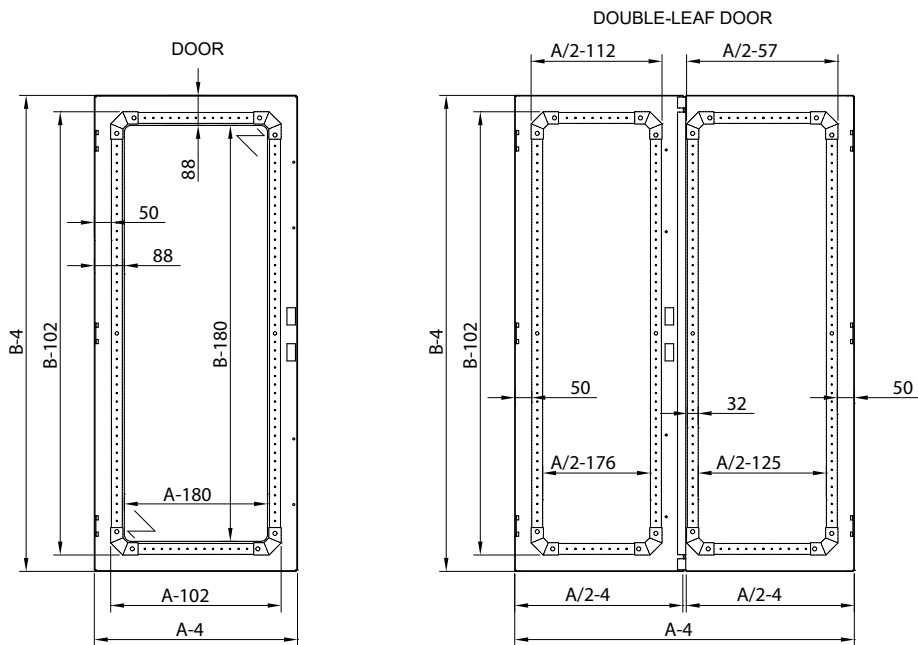


**SZS**  
IP 66

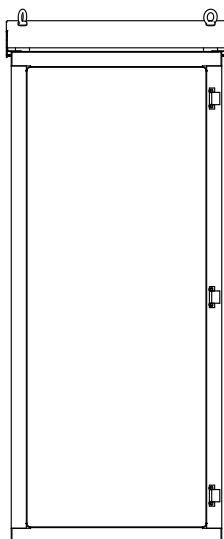
Scope of delivery:  
Assembled enclosure without lock insert.



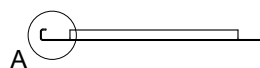
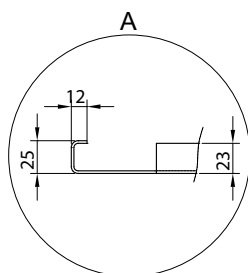
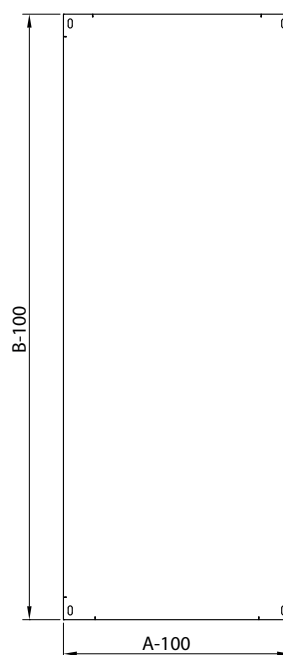
**DOOR WITH PERFORATED STIFFENING FRAMES**



MOUNTING PLATE VIEW  
(WITHOUT DOOR)



MOUNTING PLATE



SIZES OF GLAND PLATE OPENINGS  
FOR DIFFERENT WIDTHS OF THE ENCLOSURE

A=300	200x90
A=400	270x90
A=600	470x90
A=800	670x110

BOTTOM VIEW OF THE PLINTH

